



Alfa Laval Accessories - Non Return Valve

Unique Sampling Valve

Concept

Spring loaded non-return valve.

Working principle

This non-return valve is intended for use with the aseptic sampling bottle for aseptic applications. It allows steam and CIP (Cleaning in Place) fluid to pass through the upper connection piece on the sampling valve and prevents back flow.



TECHNICAL DATA

Temperature

Temperature range:1°C - 130°C

Max. sterilisation temperature, dry steam: . . .130°C

Pressure

Max. working pressure:600 kPa (6 bar)

Min. working pressure:0 kPa (0 bar)

PHYSICAL DATA

Materials

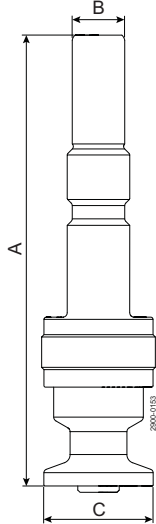
Product wetted parts: 1.4404 (316L), PVDF

Other parts: 1.4301 (304)

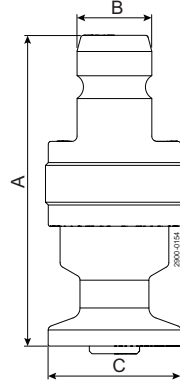
Dimensions:

Size 4 and 10:

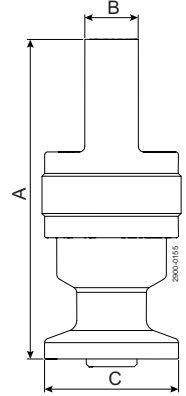
For steam generator



For Quick connection

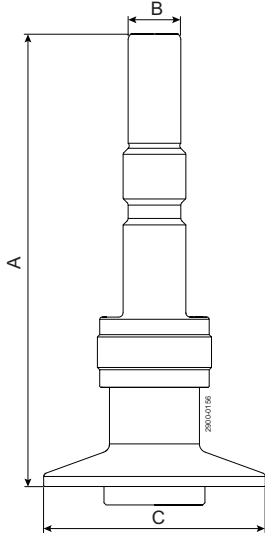


For tube welding

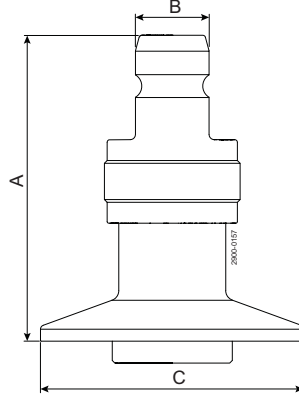


Size 25:

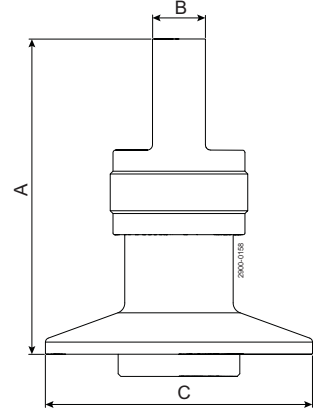
For steam generator



For Quick connection



For tube welding



Inlet size	Size 4 and 10			Size 25		
	A	B	C	A	B	C
For steam generator	103.1	12	25	103.1	12	50.5
For Quick connection	58.6	14	25	58.6	14	50.5
For tube welding	59.6	10	25	59.6	10	50.5

Alfa Laval reserves the right to change specifications without prior notification.

How to contact Alfa Laval

Contact details for all countries are continually updated on our website. Please visit www.alfalaval.com to access the information direct.